

What and why

Our aim is to help you in your approach and understanding of academic material in any subject and gain more confidence.

All of the words used will appear on GCSE exam papers.

This week's word is...

Debate

[dih-beyt]

Debate

Synonyms

- [argument](#)
- [contest](#)
- [controversy](#)
- [deliberation](#)
- [dispute](#)
- [match](#)
- [agitation](#)
- [altercation](#)
- [argumentation](#)
- [contention](#)
- [dialectic](#)
- [disputation](#)
- [hassle](#)
- [polemic](#)
- [rebutting](#)
- [reflection](#)
- [refuting](#)

Origin of the word

1250–1300

(v.) Middle English *debaten* from the Old French *debatre*, equivalent to *de-* + *batre* to beat. From the Latin *battere*, earlier *battuere* = *batter* (to beat)

History snippet:

Around the time the word 'debate' was first recorded as being used, on the 11th September 1297, the forces of [Andrew Moray](#) and [William Wallace](#) defeated the combined English forces of [John de Warenne, 6th Earl of Surrey](#), and [Hugh de Cressingham](#) near [Stirling](#), on the [River Forth](#).

The Battle of Stirling Bridge

Debate

noun

- a discussion, as of a public question in an assembly, involving opposing viewpoints: *a debate in the Senate on farm price supports.*
- a formal contest in which the affirmative and negative sides of a proposition are advocated by opposing speakers.
- deliberation; consideration.
- *Archaic.* strife; contention.

Debate

verb (used without object)

de·bat·ed, de·bat·ing

- to engage in argument or discussion, as in a legislative or public assembly: *When we left, the men were still debating.*
- to participate in a formal debate.
- to deliberate; consider: *I debated with myself whether to tell them the truth or not.*
- *Obsolete.* to fight; quarrel.

Debate

verb (used with object)

de·bat·ed, de·bat·ing.

- to argue or discuss (a question, issue, or the like), as in a legislative or public assembly: *They debated the matter of free will.*
- to dispute or disagree about: *The homeowners debated the value of a road on the island.*
- to engage in formal argumentation or disputation with (another person, group, etc.): *Jones will debate Smith. Harvard will debate Princeton.*
- to deliberate upon; consider: *He debated his decision in the matter.*
- *Archaic.* to contend for or over.

Debate

Debating is a skill.

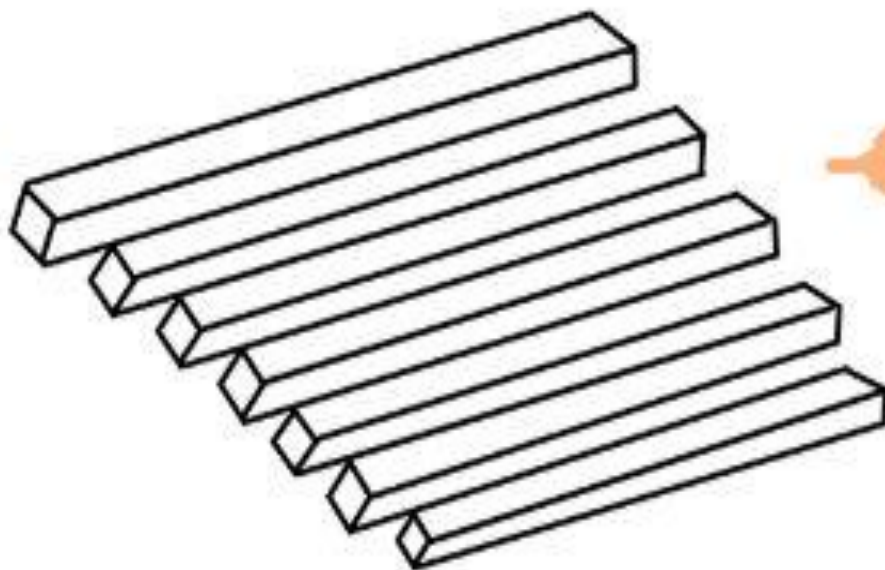
It is not arguing.

It is the ability to put forward a view on an topic or subject in a way that is persuasive to the other party (side) or audience and thus defeating their comments and perspective.

Responses are thought through and delivered with courtesy and passion, but not rudely or shouted.

Seven

**No
Five**



Debate

Your turn!

Half of you are for the below statement and the others are against it.

It doesn't matter which side you are on, the skill comes from being able to see both sides and arguing for either

Mobile phones should be banned from school completely

More topics to debate...

- Fast food should be banned in schools.
- Religion should be taught in schools.
- School uniforms should be mandatory.
- Studying a second language should be compulsory.
- Teachers should be paid as much as doctors
- Do you need homework in order to learn?

Debate

De bait goes on de hook.



Debate

Use the word **'debate'** to earn points!

Use the word of the week in your writing or in your discussions in class to earn points!

